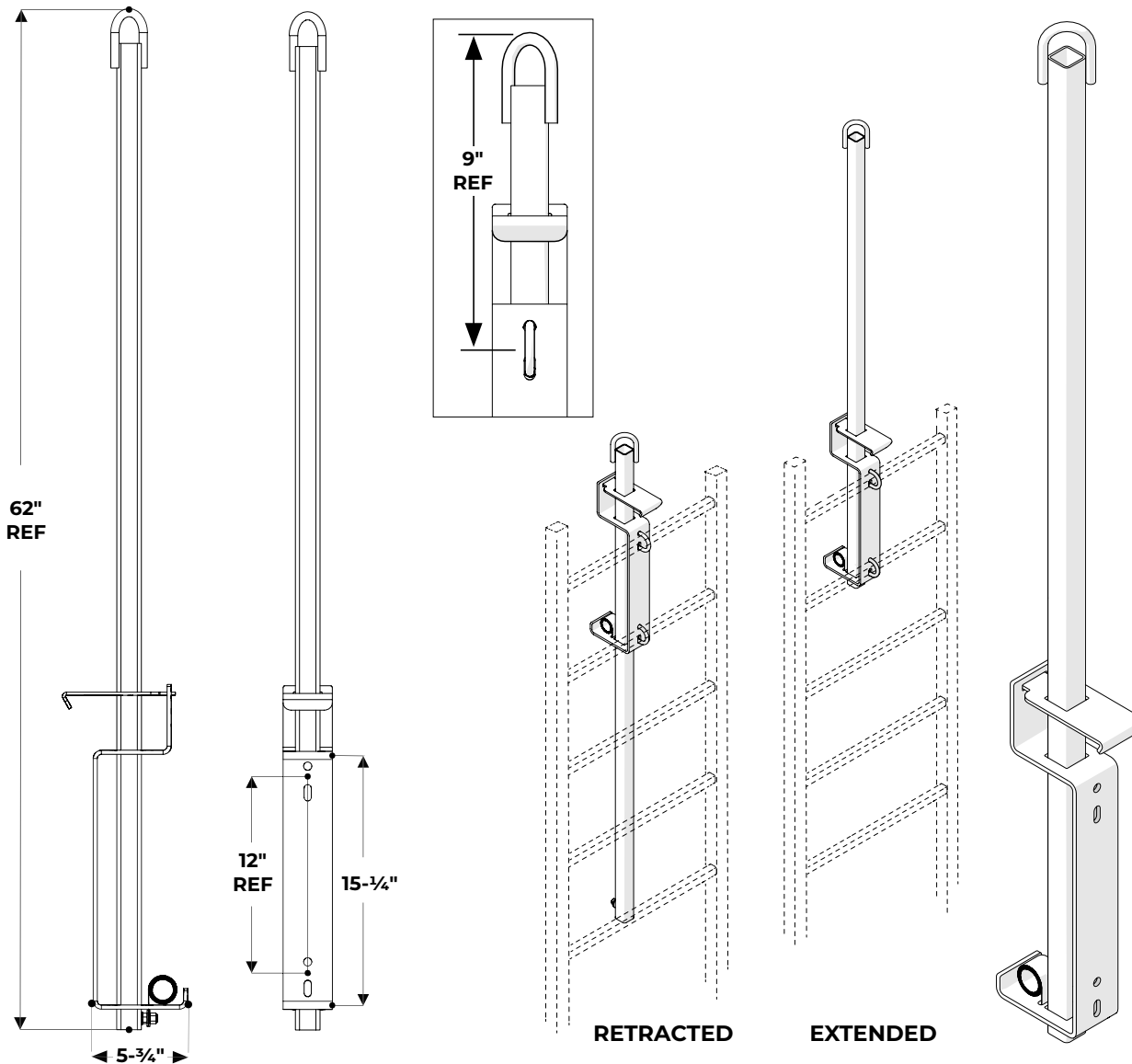


ROOF ACCESSORIES - LP SERIES - Extendable Rung-Mounted Ladder Post - LP-4

The Extendable Safety Ladder Post provides a convenient and safe method for to climb on and off fixed access ladders through a roof hatch.



SPECIFICATIONS:

Post Material: Mild steel square tubing 1-1/2" x 1-1/2" x 1/8"

Locking Bracket Material: .20" Steel Plate

Clamping Bracket Material: .25" Steel Plate

Finish: Yellow powder coat

Spring Type: Stainless steel constant force power spring

Hardware kit included: Zinc-plated steel U bolts, 3/8" zinc plated steel nylon insert locknuts and washers

Ladder Requirements: Round or square rungs in sizes 3/4" - 1-1/4" spaced 12" apart. When mounted, the rung centers must allow at least a 7" foot clearance, as required by OSHA.

Weight: 25 LBS

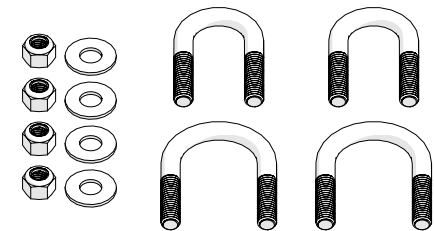
Load: Tested to 250lb concentrated load.

NOTES:

The ladder post is furnished completely assembled ready to mount on a fixed vertical ladder that is structurally sound and securely anchored.

Important: Use top loop for raising and pulling up the post only. It is not suitable for attaching a safety fall arrest harness and should not be used for this purpose.

QTY	MODEL	MATERIAL	TYPE
	LP-4	Steel	Yellow Powder coat



ACTIVAR
CONSTRUCTION PRODUCTS GROUP INC.



800-554-6077
sales@activarcpg.com
www.activarcpg.com

9702 Newton Ave S. Bloomington, MN 55431 | Many Locations Nationwide

Distributor:

Project:

Contractor:

Approved By:

Date:

Architect:

Scale: N/A

Pages: 1 of 1

Item #: